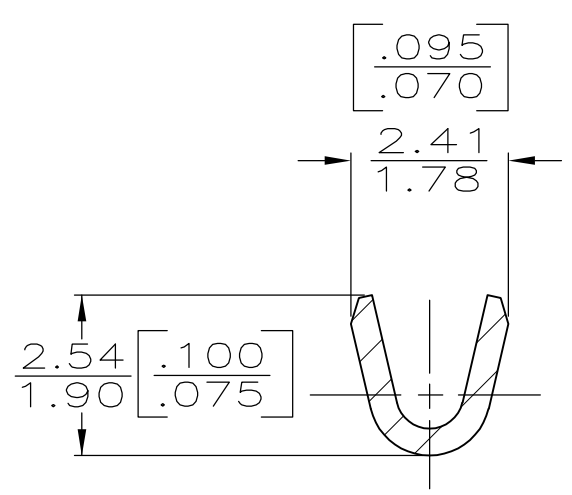
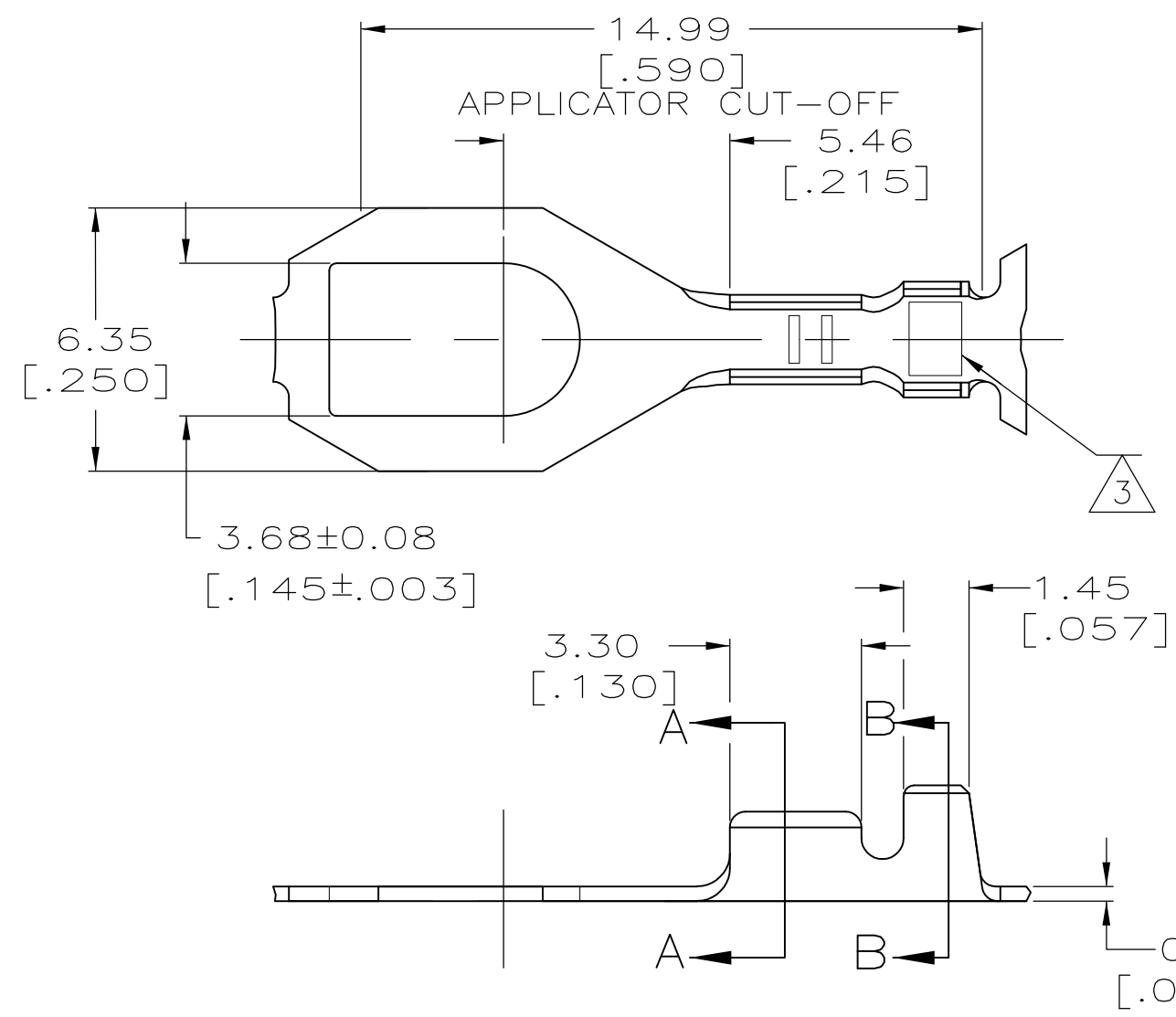


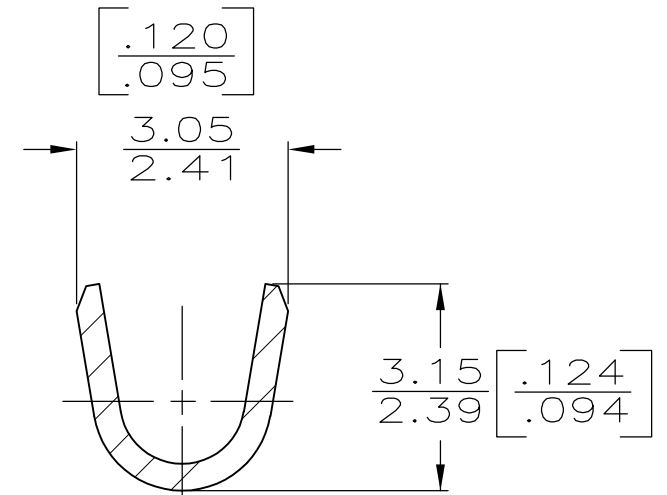
THIS DRAWING IS UNPUBLISHED. RELEASED FOR PUBLICATION
 © COPYRIGHT BY TYCO ELECTRONICS CORPORATION. ALL INTERNATIONAL RIGHTS RESERVED.

LOC	DIST	REVISIONS					
AF	50	P	LTR	DESCRIPTION	DATE	DWN	APVD
		H		REVISED PER ECR-08-008189	24NOV08	HMR	DD

- 1 CONTINUOUS STRIP ON REELS
- 2 DIMENSIONS IN BRACKETS ARE IN INCHES
- 3 STAMPING: AMP FOR 60445-2
AMP* FOR 60445-3



SECTION A-A
SCALE 10:1



SECTION B-B
SCALE 10:1

METRIC

H02 PHOS BRZ	M3.5	1.22-1.98	0.2-0.6mm ²	60445-3
082 BRASS	[#6]	[.048-.078]	[24-20]	60445-2
MATERIAL	STUD SIZE	INSULATION RANGE	WIRE RANGE	PART NO

0	2.29 [.090]	4.83 [.190]	F	1.57 [.062]	1.17 [.046]	0.5mm ² [20]
					1.09 [.043]	0.3mm ² [22]
					1.02 [.040]	0.2mm ² [24]
TYPE	WIDTH	STRIP LENGTH ±.015	TYPE	WIDTH	HEIGHT ±.051±[.002]	WIRE
INSUL BARREL CRIMP			WIRE BARREL CRIMP			

THIS DRAWING IS A CONTROLLED DOCUMENT.

DWN	P FORTNEY	5/31/89	 Tyco Electronics Corporation Harrisburg, PA 17105-3608
CHK	MS FEHER	6/21/89	
APVD	G YETTER	6/21/89	
PRODUCT SPEC			
APPLICATION SPEC			NAME
			SPADE
WEIGHT	-		SIZE
			A3
			CAGE CODE
			00779
			DRAWING NO
			C-60445
			RESTRICTED TO
			-
			SCALE
			6:1
			SHEET
			1 OF 1
			REV
			H

CUSTOMER DRAWING